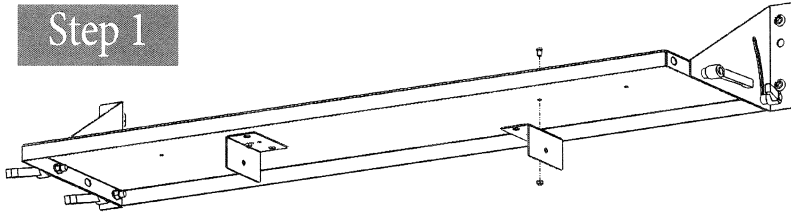
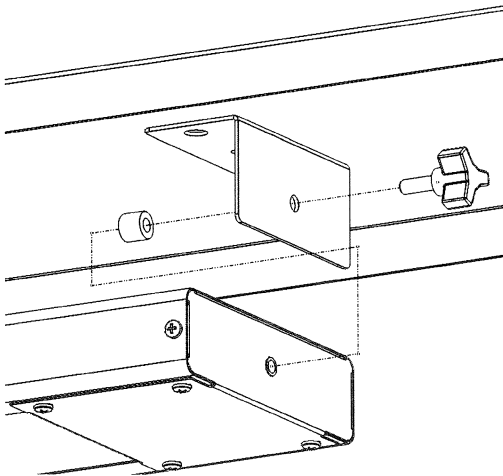
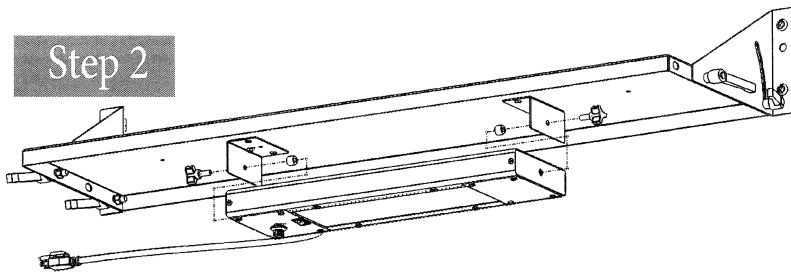


LED LIGHT UNIT Item
Numbers 8901, 8903, 8906, 8907, 8911

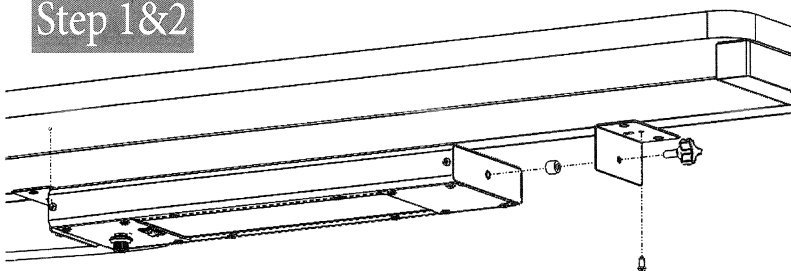
Step 1



Step 2



Step 1&2



ACCESSORIES

PARTS AND HARDWARE	QUANTITY
Light Mounting Bracket	2
1/2" x 7/16" Nylon Spacer	2
3-Lobe Knob	2
10-24 x 3/8 Bolt	2
10-24 Nut	2
#8 x 1/2" Wood Screw	2
#10 Tek Screw	2
1/8 Allen Wrench	1
Other Items Needed (not included)	
Phillips head screwdriver	
Tape Measure	

Mounting for under universal shelf & storage cabinet

1. Install Light Mounting Brackets to underside of Universal Shelf using 10-24 nuts and bolts. Do not tighten bolts fully.
a To install under a Storage Cabinet, use #10 tek screw.
2. Install LED Light to bracket assembly using 3 Lobe Knobs and 1/2" x 7/16" Nylon Spacers. using 1/8" allen wrench, tighten 10-24 nuts & bolts.

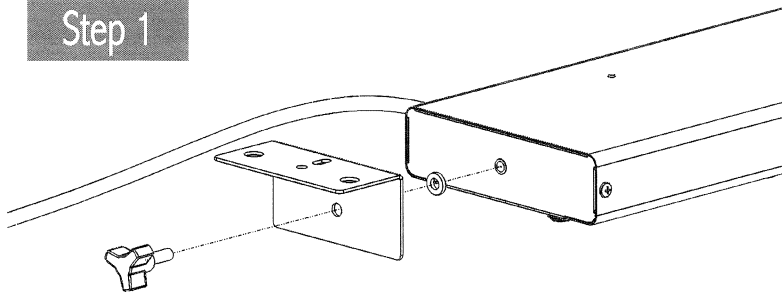
Mounting for under laminate shelf

1. Install light mounting brackets to each side of light using 3-lobe knobs and 1/2" x 7/16" nylon spacers. Mounting bracket should be parallel with top of light unit.
2. Secure light assembly to underside of laminate shelf with #8 wood screws.

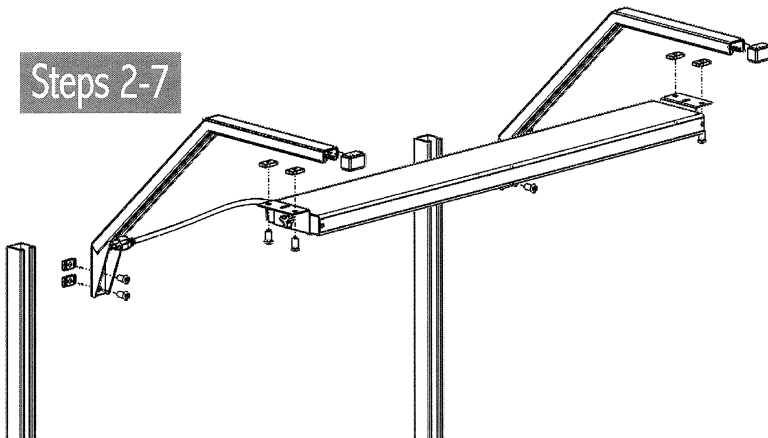
LED OVERHEAD LIGHT, WITH DIMMER

Item Numbers 8900, 8902, 8905, 8910

Step 1



Steps 2-7



ACCESSORIES

PARTS AND HARDWARE	QUANTITY
Overhead Arms	2
End Caps	2
Basic Bolts	8
Basic Nuts	8
Light Unit	1
Light Mounting Brackets	2
7/32 Allen Wrench	1
3-Lobe Knob	2
1/4" Nylon Washer	2
Other Items Needed (not included)	
Phillips head screwdriver	
Tape Measure	

•Note: To install Overhead Arms only, perform steps 3 & 4.

1. Install light mounting brackets on each end of light using a 3-Lobe Knob and 1/4" nylon washers. Mounting bracket should be parallel with the top of the light unit.
2. Insert Basic Bolts from bottom of each light mounting bracket and secure with Basic Nuts. Turn only one revolution. Repeat for other bracket.
3. Insert two (2) Basic Bolts into mounting plate on Overhead Arm. Secure with Basic Nut with grooves facing the back of the mounting plate. Turn only one revolution. Repeat for other Overhead Arm.
4. Insert Basic Nuts attached to Overhead Arm mounting plate into frame channel of workstation or Uprights and turn Basic Bolt 90 degrees clockwise to grip. Top of mounting plate should be flush with top of frame cross member. Tighten the bolts. Repeat for other Overhead Arm.
5. Position light unit with cord facing the frame. Insert Basic Nuts attached to light unit into Overhead Arm channel and turn Basic Bolt 90 degrees clockwise to grip.
6. Slide the light unit to the desired position. Tighten the bolts. Slide End Caps onto front ends of Overhead Arms.
7. To adjust angle, loosen the 3-lobe knob on each end of the light and tilt to desired angle. Tighten knobs.